



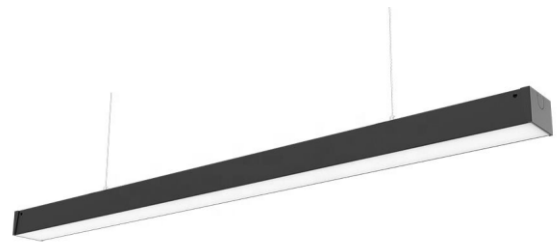
# TPL SERIES

Linear LED Pendant Light



# TPL SERIES

## LED Pendant Light



Tired of bland, uninspired lighting that fails to impress? It's time to elevate your space with a fixture that combines elegant design, powerful performance, and unparalleled versatility. Our LED Linear Pendant Light Fixture is the perfect solution for modern offices, retail spaces, educational facilities, and any area where both form and function are paramount.

## LINEAR LED PENDANT LIGHT

Selectable CCT & Wattage | Emergency Backup available

Catalog#

Type

Comment

Project

Date

### DESCRIPTION

ED Linear Pendant Light is the only solution you'll ever need. The Adjustable wattage & CCT gives you complete control, allowing you to easily switch from a cool, crisp light for focused work to a warm, inviting glow for a showroom. But the real game-changer is our Various lens design for different locations. Whether you need a wide, uniform wash for an open office or a more focused beam to highlight products, we have the perfect lens to optimize light distribution. Encased in a sturdy Aluminum case with a Polycarbonate cover, this fixture delivers a powerful 130 Lumens per watt, all backed by a 5-year warranty and ETL/cETL, CE, certificate for guaranteed quality.

### CONSTRUCTION & MATERIALS

- ◆ Aluminum housing
- ◆ Impact-proof PC lens cover
- ◆ IP 20 rating waterproof protection
- ◆ Black polyester powder-coated finish
- ◆ Flicker free
- ◆ Impact Rated: Ik08

### EMERGENCY OPTION

- ◆ UL 924 & CEC title 20 compliant
- ◆ Charge time: 24 hrs
- ◆ Emergency time: 90~180 minutes

### MOUNTING AND WIRING

- ◆ Surface mount, Chain mount, Conduit install

### ENVIRONMENTAL SYSTEM

- ◆ Indoor damp location

### WARRANTY

- ◆ 5 Years

### ELECTRICAL SYSTEM

- ◆ Input voltage 100-277VAC, 200-240VAC
- ◆ ETL/cETL,UL/cUL, CE/RoHS.
- ◆ THD<20%

### OPTICAL SYSTEM

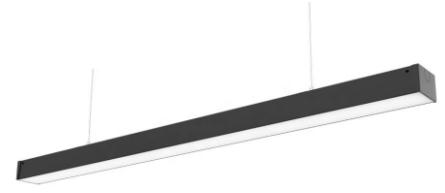
- ◆ 130 lm/w output efficacy
- ◆ Selectable Color temperature: 30K-40K-50K choosing on-site
- ◆ Std. 120° beam angle

### LIGHTING CONTROL

- ◆ Optional 0/1-10Vdc dimming
- ◆ Microwave motion sensor available

### STANDARD

- ◆ EN61347-1, EN61347-2-13, EN60598-2-1, EN60598-1
- ◆ UL 924, UL 1598, CAN/CSA -C.22.2 NO. 250.0,
- ◆ EN55015, EN61547, EN61000-3-2/3, FCC part 15, ICES-005



### Extra Lens Optional

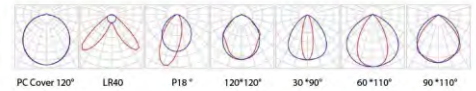


Diffuser(\*in standard)

Lens

Louver

### Distribution (\*PC Cover 120° in standard)



### DATA SHEET

Model#	LT-TPL440	LT-TPL880
Rated Power	Adjustable 30W-40W-50W	Adjustable 60W-70W-80W
PF	>0.90	>0.90
Lumen Output (@5K)	6,400 Lumens	10,400 Lumen
CRI	>80	>80
Finish	Black (White option)	Black (White option)
Beam Angle	120°	120°
CCT	Selectable 30K-40K-50K, or Single CCT	Selectable 30K-40K-50K, or Single CCT
Dimension (LXWXH)	1200mmx59mmx65mm	2400mmx59mmx65mm
L70 Life	>60,000hrs	>60,000hrs
THD	<20%	<20%
Work Temp.	-10°C~+45°C	-10°C~+45°C
G.W.(Kg)	9.0 Kg/4pcs/CTN	7.8Kg/2pcs/CTN
Carton (CTN)	125x23x25 cm	243x21x13 CM
Certificate	ETL/cETL,CE/RoHS	ETL/cETL,CE/RoHS

### ORDER INFORMATION

Sample Number: LT-TPL440-H-EM-2H

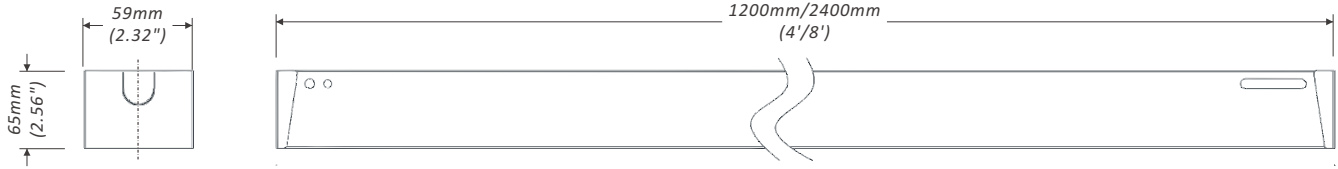
Com	Series	Length	Wattage	Voltage	CCT	Control Mode	Duration (EM)
LT	TPL	4 =4' 8 =8'	40=ADJ.30W-40W-50W 80=ADJ.60W-70W-80W	Blank=100-277VAC H = 250-480VAC M = 120-347VAC E =200-240VAC	30K=3000K 40K=4000K 50K= 5000K 60K= 6000K 3CT=ADJ. 30K-40K-50K	DM=0/1-10VDC Dimming PC = Photocell MS = Motion sensor EM = Emergency Backup	STD =90 MIN. 2H = 120 MIN. 3H = 180 MIN.

## LINEAR LED PENDANT LIGHT

Selectable CCT & Wattage | Emergency Backup available

Catalog#	Type
Comment	
Project	Date

### DIMENSION



### OPTIONAL EM BATTERY (EM)

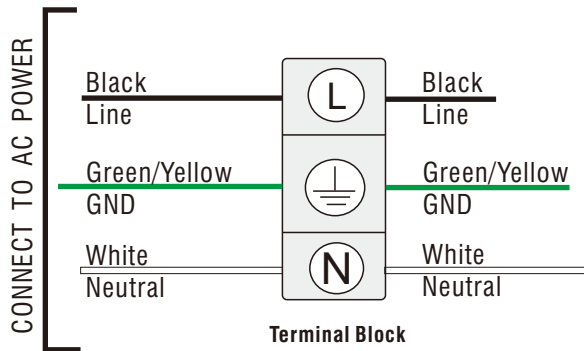
When the AC power goes out, the emergency driver detects the AC power outage and automatically switch to the working emergency mode. The green LED light off. When the AC power is restored, the emergency driver backs to AC power working and starts re-charging, the green LED light on.

- Easy wiring: directly connect to AC INPUT OF LED luminaires.
- High Voltage Input : 100-347V AC/277-480V AC.
- Constant power output.
- Self testing monthly/yearly.
- Suitable for use in dry, damp and wet locations.
- Built-in lithium battery.
- UL Listed for factory or field installation-UL924 & CSA C22.2 NO.141.
- Meets or exceeds all NEC, BC, and NFPA 101 Life Safety Code.
- CEC ( CA Title 20 ) and US DOE Energy Efficiency Compliance.



### WIRE DIAGRAM

#### Wire Diagram



#### Emergency Wire Diagram (Switch)

