

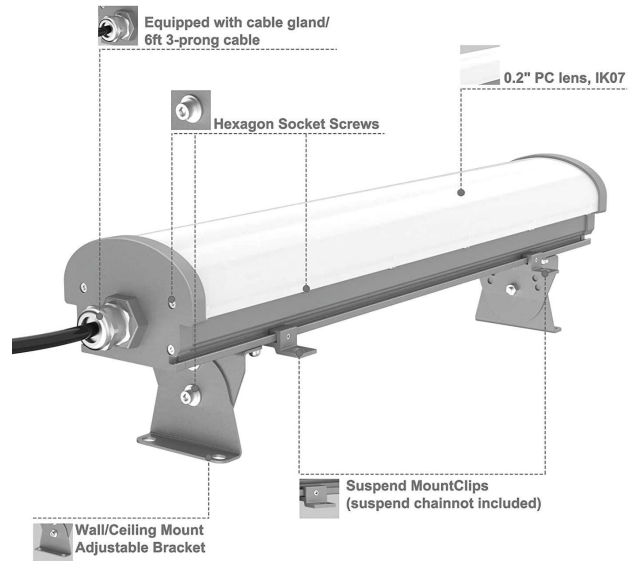


TPL SERIES

**Linear LED
Explosion-proof Light**



Danger Zones with Confidence: Explosion Proof LED High Bay Lights



In industrial facilities where explosive gases or combustible dusts are present, standard commercial lighting is a massive liability. To keep your workforce safe and your operations compliant, investing in an ATEX Zone 1 Zone 21 LED solution is critical.

Our latest hazardous location linear fixture is designed to replace outdated explosion-proof fluorescent tubes while delivering superior light output and unparalleled safety features

Application:
Wastewater treatment, oil and gas refineries, drilling rigs, petrochemical facilities, food and beverage facilities, tunnels, outdoor or indoor mounted general area lighting, and where flammable vapors, gases, ignitable dusts, fibers or flyings are present.

EXPLOSION-PROOF LED HIGH BAY

Ex mark: II 2G Ex eb mb IIC T5 Gb; II 2D Ex tb IIIC T75 °C Db;

Catalog#	Type
Comment	
Project	Date

DESCRIPTION

The TPL series explosion-proof LED lights is a zone 1 & 21 factory sealed LED light fixture for general illumination. These fixtures are built to perform effectively and economically in areas that may be difficult to service, expensive to shut down or any location requiring an increased degree of safety. Compared with conventional lighting, this series LED consumes up to 85% less energy and typically lasts as long as 60,000 hours or more. Moreover, LED is available in various powers, offering a replacement option for existing 50W-400W MH fixtures.

CONSTRUCTION & MATERIALS

- ◆ High-duty die-casting aluminum alloy housing, fully sealed to be dirt and bug proof
- ◆ Impact-proof glass lens
- ◆ IK 10 Rated
- ◆ IP 66 rating waterproof protection
- ◆ Grey polyester powder-coated finish
- ◆ Taiwan Meanwell / Inventronic driver
- ◆ Stainless steel protective rope

EMERGENCY OPTION

- ◆ UL 924 & CEC title 20 compliant
- ◆ Charge time: 24 hrs
- ◆ Emergency time: 90~180 minutes
- ◆ Charge cycle: >500 times
- ◆ Work Temp. -22°F~+122°F (-30°C~50°C).

MOUNTING AND WIRING

- ◆ Surface mount/Pendent mount /Pole mount

ENVIRONMENTAL SYSTEM

- ◆ Where flammable vapors, gases, ignitable
- ◆ dusts, fibers or flyings are present;
- ◆ indoors or outdoors
- ◆ Where extremely corrosive, wet, dusty, hot and/or cold conditions exist

ELECTRICAL SYSTEM

- ◆ ATEX mark: II 2G Ex eb mb IIC T5 Gb; II 2D Ex tb IIIC T75 °C Db;
- ◆ IECEx mark: Ex eb mb IIC T5 Gb; Ex tb IIIC T75°C Db;
- ◆ Input voltage 100-277VAC 50/60 Hz, 12-24VDC

OPTICAL SYSTEM

- ◆ 120-140 lm/w output efficacy
- ◆ CCT: 3000K, 4000K, 5000K,5700K, 6500K.
- ◆ Beam angle: 120°

CORROSION PROOF GRADE

- ◆ WF2

CABLE ENTRY

- ◆ NPT 3/4, NPT 1/2

WARRANTY

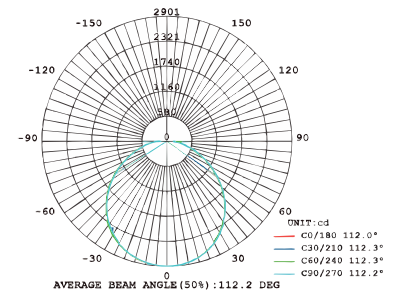
- ◆ 5 Years

STANDARD

- ◆ EN61347-1, EN61347-2-13, EN60598-2-1, EN60598-1
- ◆ EN60079-0/1/31
- ◆ CAN/CSA -C.22.2 NO. 250.0, C22.2 No. 137, CSA-C22.2 No. 250.13-12
- ◆ UL 8750 (Edition 1), UL 844 (Edition 12)
- ◆ UL 924, UL 1598



PHOTOMETER



DATA SHEET

Model#	LT-TPL120EP	LT-TPL220EP	LT-TPL340EP	LT-TPL440EP
Rated Power	20W, 30W	20W, 30W, 40W, 50W	40W, 50W, 60W, 70W	40W, 50W, 60W, 70W, 80W,100W
Output Efficacy	120~140 LPW	120~140 LPW	120~140 LPW	120~140 LPW
Input Voltage	100~277VAC, 12~24VDC	100~277VAC, 12~24VDC	100~277VAC, 12~24VDC	100~277VAC, 12~24VDC
Beam Angle	120°	120°	120°	120°
Length	1'	2'	3'	4'
Waterproof	IP 66	IP 66	IP 66	IP 66
Battery Available	12W/1.5 hrs	12W/1.5 hrs	12W/3 hrs	12W/3 hrs
Corrosion Proof	WF 2	WF 2	WF 2	WF 2
Cable Entry	NPT3/4, NPT 1/2	NPT3/4, NPT 1/2	NPT3/4, NPT 1/2	NPT3/4, NPT 1/2
L70 Life	>50,000hrs	>50,000hrs	>50,000hrs	>50,000hrs
Work Temp.	-40°C~+50°C (EM: 0°C~+50°C)	-40°C~+50°C (EM: 0°C~+50°C)	-40°C~+50°C (EM: 0°C~+50°C)	-40°C~+50°C (EM: 0°C~+50°C)
Certificate	ATEX, IEXEX	ATEX, IEXEX	ATEX, IEXEX	ATEX, IEXEX

ORDER INFORMATION

Sample Number: LT-TPL340-30K-D-EP/EM-3H

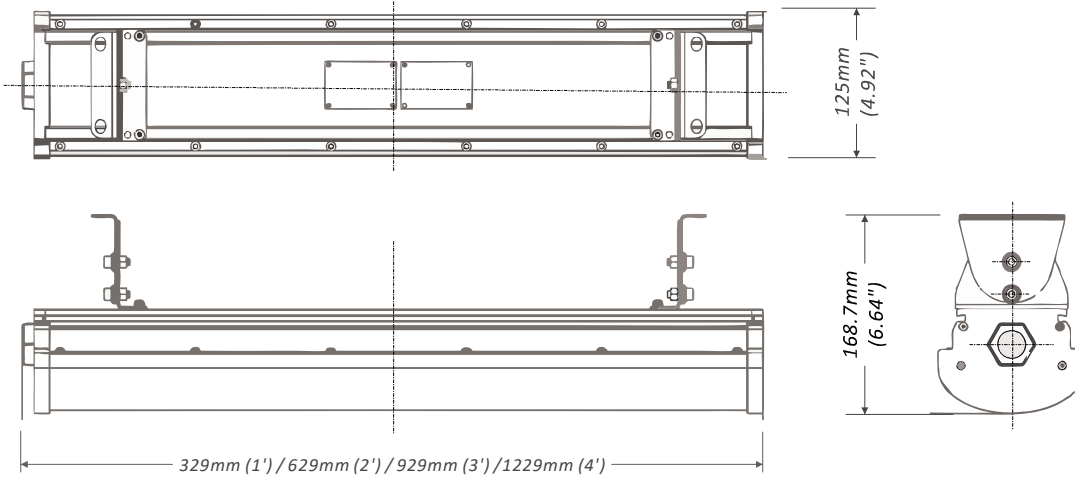
Com.	Series	Length	Wattage	CCT	Voltage	Style	Duration (EM)
LT	TPL	1 2 3 4	20=20W 30=30W 40=40W 50=50W 60=60W 70=70W 80=80W 100=100W	27K=2700K 30K=3000K 40K=4000K 50K=5000K 57K=5700K 65K=6500K	Blank=100-277VAC D= 12-24-VDC	EP=Explosion Proof EM=Emergency Kit	Blank=90 Min. 2H =120 Min. 3H =180 Min.

EXPLOSION-PROOF LED HIGH BAY

Ex mark: II 2G Ex eb mb IIC T5 Gb; II 2D Ex tb IIIC T75 °C Db;

Catalog#	Type
Comment	
Project	Date

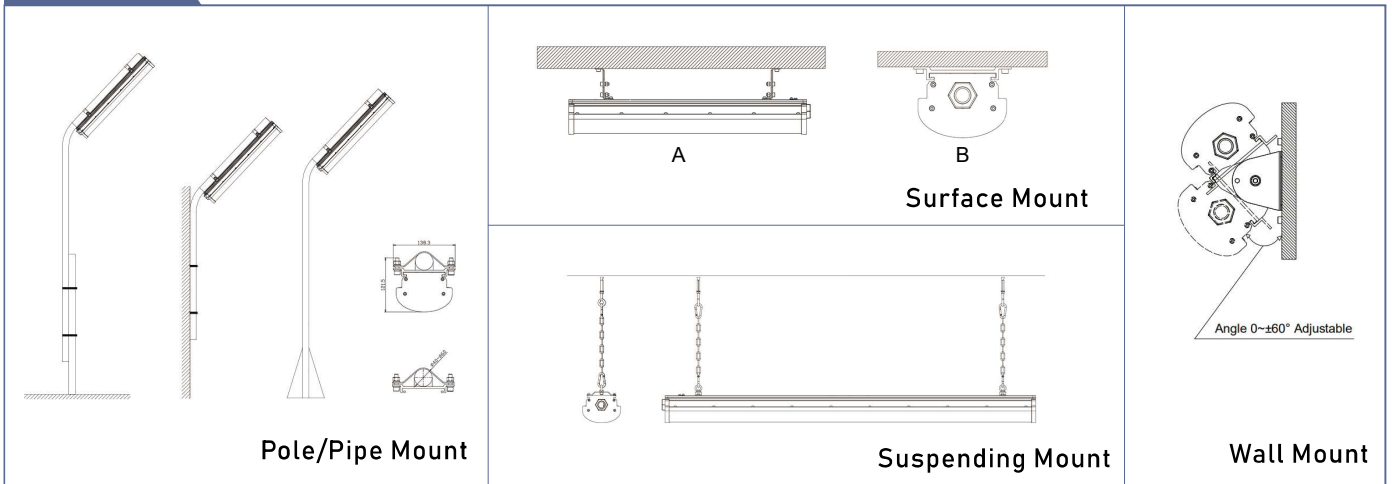
DIMENSION (unit:mm)



PACKAGE

Model#	LT-TPL120EP	LT-TPL220EP	LT-TPL340EP	LT-TPL440EP
Carton Size	51X21X17 CM	81X21X17 CM	111X21X17 CM	141X21X17 CM
QTY	1	1	1	1
N.W. /G. W.	3.6Kg(8 IBS)/4.1Kg (9.2 IBS)	4.6Kg (10.2 IBS)/5.1Kg (11.2 IBS)	6.2Kg (13.8 IBS) /7Kg (15.6 IBS)	7.7Kg (17 IBS) / 8.5Kg (18.7 IBS)

INSTALLATION



OPTIONAL EM BATTERY

- ◆ Meet most of safety standards for lighting.
- ◆ External Li-ion/LiFeP04 battery.
- ◆ Battery protections: over charge protection, over discharge protection, short circuit protection.
- ◆ Intelligent emergency automatic detection function, Indicator shows a variety working modes.
- ◆ UL Listed for factory or field installation-UL924 & CSA C22.2NO.141.
- ◆ NFPA 101 Life Safety Code.
- ◆ CEC (CA Title 20) and US DOE Energy Efficiency Compliance.

